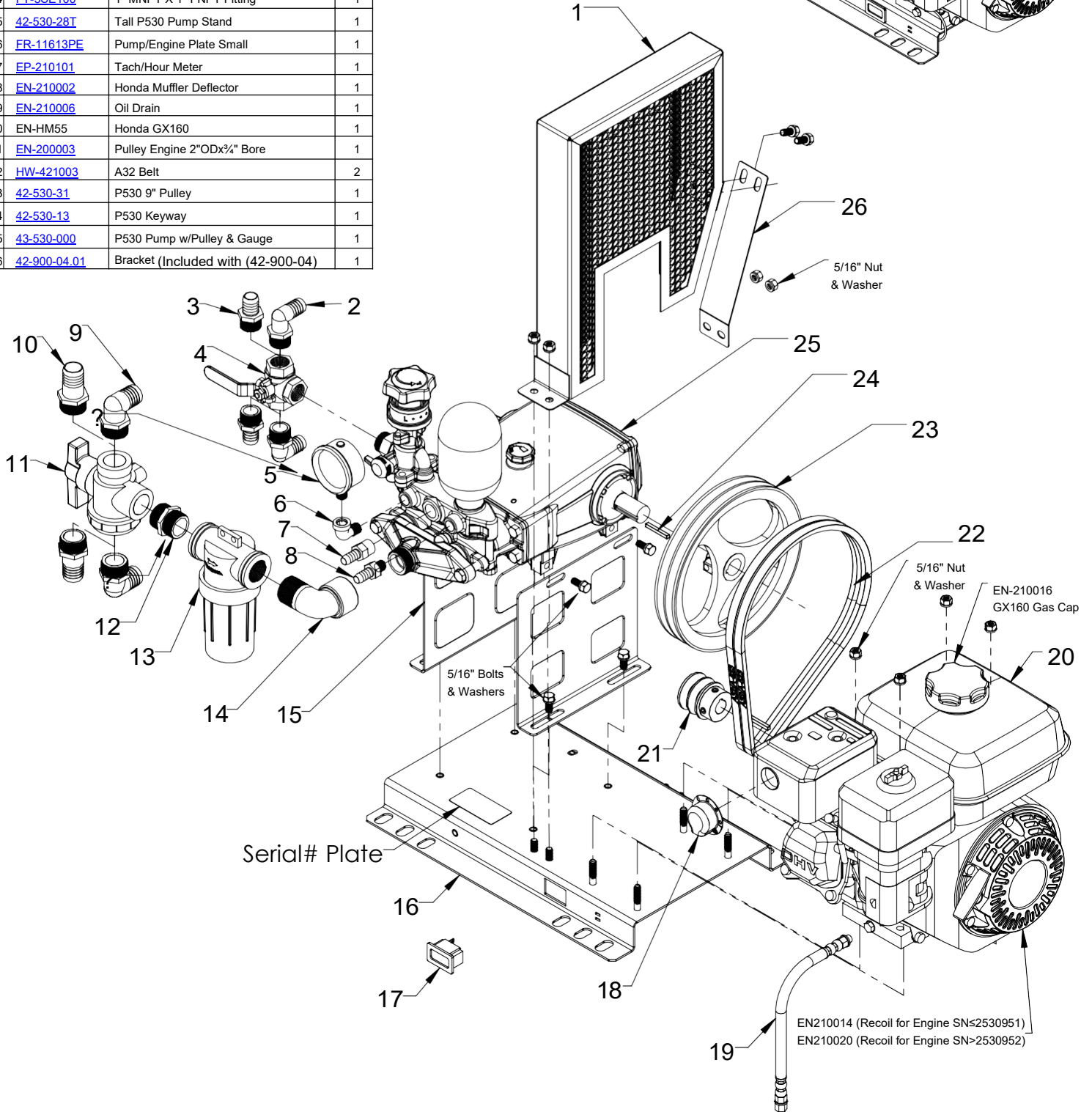
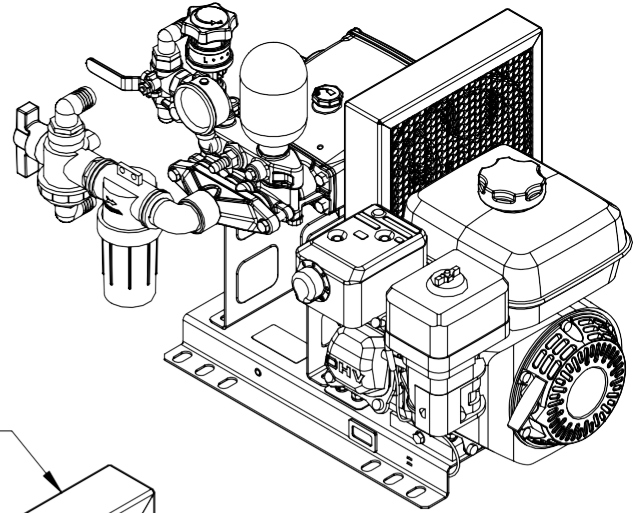
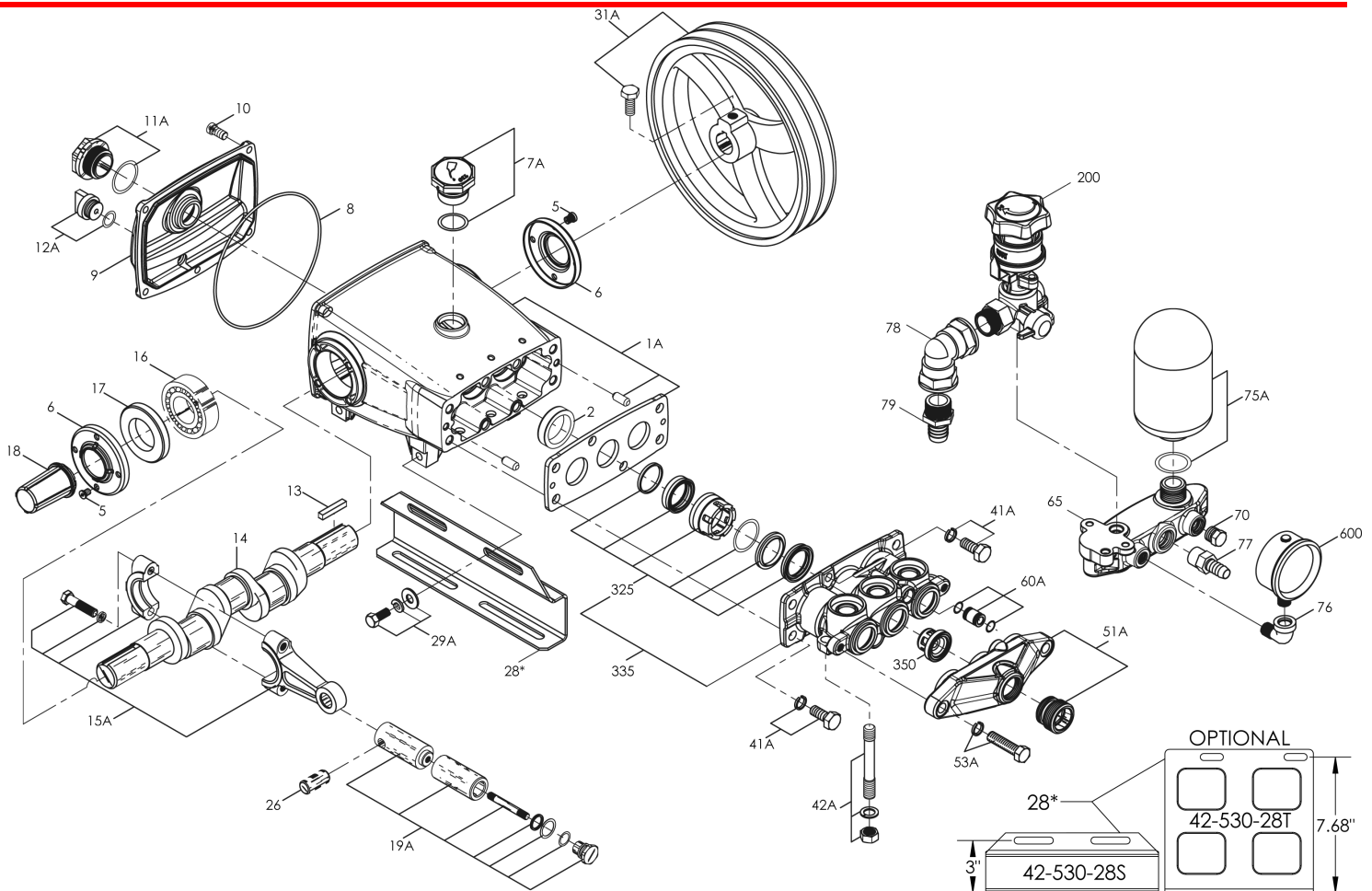


#	PART #	DESCRIPTION	QTY
1	42-900-04	Compact Belt Guard (Black)	1
2	FT-3EL34	3/4" MNPT x 3/4" 90° Hose Barb	2
3	FT-3A34	3/4" MNPT x 3/4" HB Poly Fitting	2
4	BV-3-034B	Brass 3-Way Ball Valve	1
5	42-950-600	Gauge 0-600psi	1
6	FT-GAL-SE14	1/2" Street Elbow	1
7	FT-TW12B	1/2" MNPT x 1/2" HB Swivel	1
8	FT-TW3812B	3/8" MNPT x 1/2" HB Swivel	1
9	FT-3EL100	1" MNPT x 1" HB 90° Poly Fitting	2
10	FT-3A100	1" MNPT x 1" HB Poly Fitting	2
11	BV-3-100P	3-Way Ball Valve	1
12	FT-3M100	1" MNPT x 1" MNPT Nipple	1
13	LS-110100	1" Clear Suction Filter	1
14	FT-3SE100	1" MNPT X 1" FNPT Fitting	1
15	42-530-28T	Tall P530 Pump Stand	1
16	FR-11613PE	Pump/Engine Plate Small	1
17	EP-210101	Tach/Hour Meter	1
18	EN-210002	Honda Muffler Deflector	1
19	EN-210006	Oil Drain	1
20	EN-HM55	Honda GX160	1
21	EN-200003	Pulley Engine 2"ODx3/4" Bore	1
22	HW-421003	A32 Belt	2
23	42-530-31	P530 9" Pulley	1
24	42-530-13	P530 Keyway	1
25	43-530-000	P530 Pump w/Pulley & Gauge	1
26	42-900-04.01	Bracket (Included with (42-900-04))	1



EN210014 (Recoil for Engine SN≤2530951)
EN210020 (Recoil for Engine SN>2530952)



Ref#	Item #	Description
1A	42-530-01	Crankcase, Set Pins, & Plate
2	42-530-02	Piston Oil Seal
5	42-530-05	Screw For Crankshaft Oil Seal Cover
6	42-530-06	Oil Seal Cover
7A	42-530-07	Oil Inlet Cover
8	42-530-08	Gasket for Rear Crankcase Cover
9	42-530-09	Crankcase Rear Cover
10	42-530-10	Screw for Crankshaft Rear Cover
11A	42-530-11	Oil Window Assembly
12A	42-530-12	Oil Drainage Plug
13	42-530-13	Crankshaft Key
14	42-530-14	Crankshaft
15A	42-530-15	Connecting Rod Assembly
16	42-530-16	Crankshaft Bearing,
17	42-530-17	Crankshaft Oil Seal
18	42-530-18	Crankshaft Cover
19A	42-530-19	Piston Assembly
26	42-530-26	Piston Pin
28*	42-530-28S	Short Pump Stands (pair)
28*	42-530-28T	Tall Pump Stands (pair)

Ref#	Item #	Description
29A	42-530-29	Bolt, Washer, & Lock Washer
31A	42-530-31	Pulley with Bolt Set
41A	42-530-41	Bolt & Lock Washer
42A	42-530-42	Double End Screw, Nut, & Lock Washer
51A	42-530-51	Suction Chamber Assembly
53A	42-530-53	Bolt & Washer
60A	42-530-60	Connecting Hose with O-Ring
65	42-530-65	Outlet Chamber
70	42-530-70	3/8" Brass Plug
75	42-530-75	Air Chamber Surge Tank with O-Ring
76	FT-GAL-SE14	1/4" Street Elbow
77	FT-TW12B	1/2" MNPT x 1/2" HB Swivel
78	FT-3LL34	3/4"x3/4" FNPT Fitting
79	FT-3A34	3/4" MNPT x 3/4" HB Poly Fitting
200	43-530-200	Pressure Regulator Assembly
335	43-530-335	Cylinder Head w/ Preinstalled Packing
350	43-530-350	Replacement Valve Kit (6pcs)
NA	43-530-380	Rebuild Kit (ref #s 350 & 325)
NA	43-530-400	Master Rebuild Kit (ref #s 350 & 335)
600	42-950-600	0-600psi Pressure Gauge